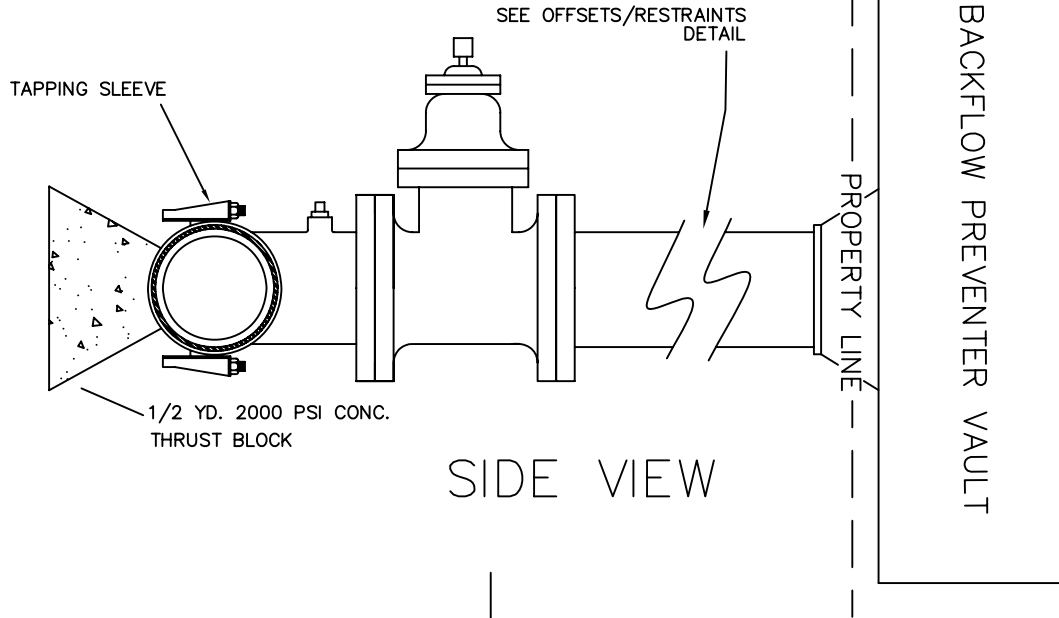


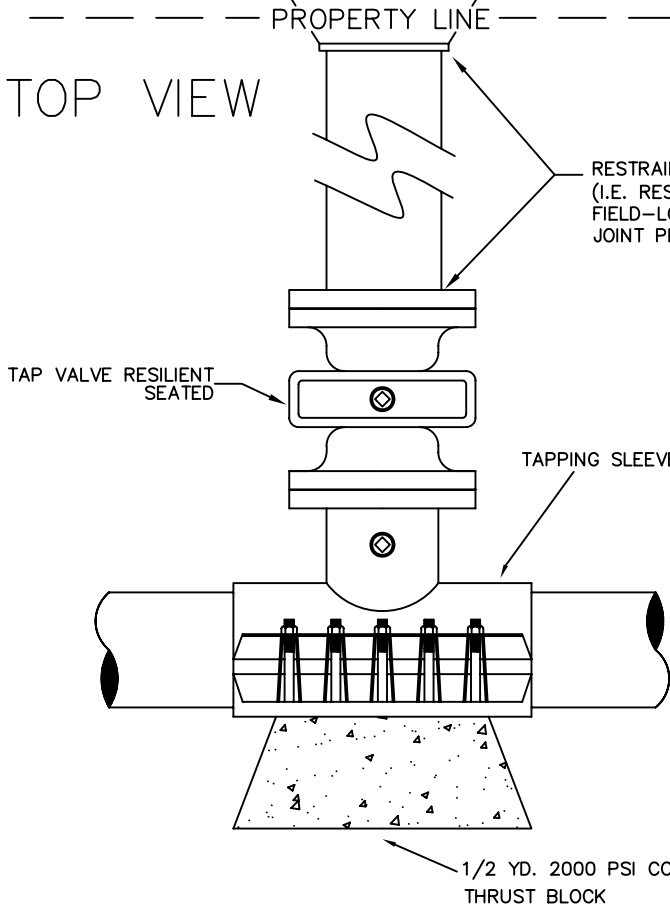
FIRELINE CONNECTION (3" - 10")



SIDE VIEW

- * REFER TO OFFSET AND RESTRAINT TYPICAL FOR DEPTH OPTIONS.
- * PLANS MUST BE SUBMITTED FOR APPROVAL
- * REFER TO DWI GENERAL MATERIAL SPECS AND INSTALLATION SPECS.

BACKFLOW PREVENTER VAULT



TOP VIEW

DAVIDSON WATER INC.
WELCOME, NORTH CAROLINA
BACKFLOW PREVENTION

BACKFLOW PREVENTION
 STANDARD DETAIL

FIRELINE CONNECTION
 (3" - 10")

SCALE: NOT TO SCALE
 REVISED: 10/15/07